

Prestige Collection

Luxury Bathroom



Oasis offers so much more than a selection of furniture. Indeed, the company aims to propose a complete and coordinated interior design, inspired by an idea: the beauty of 1900. Nevertheless Oasis also looks at the decades of great Italian design and architecture to capture the secret of blending different raw materials in a new, unique and universal design.



Oasis, a story in time



1908

Floriano Quaia opens his first carpentry workshop: a small studio where furniture is made with the aim of lasting a lifetime.



1945

Bernardo Quaia, son of Floriano, sets down the foundations of a company where the first pieces of decorative furniture would later be developed.



1972

Francesco, Bernardo's son, builds a factory and creates - using his surname - an actual brand. Together with his brother Floriano, he sets up Arredamenti Quaia.



1980

Arredamenti Quaia participates in the Salone del Mobile, Milan for the very first time. The accompanying burst of innovation marks a turning point for the company which sets its sights on ever broader horizons.



1984

During the flurry of the Eighties, Francesco Quaia establishes the Oasis brand, branching out into the production of bathroom furniture which thereafter becomes part of the company offer.

2012

The Home line is completely revised and relaunched with the aim of offering, under the Oasis label, a complete and coordinated luxury interiors package inspired by the language of cosmopolitan and contemporary style.



The New Millennium

At the turn of the Millennium, an impetus of change, of fresh new ideas, sweeps through the company in the form of the next generation, Francesco's three children: Francesca, Federica and Lorenzo.



Nowadays

The company is a century-old family business characterised by courage, tradition and a strong identity. It has market presence in more than 25 countries, the main ones being: Russia, Ukraine, the United Kingdom, Germany, France, Switzerland, Belgium and the United States. The Oasis production portfolio includes a wide range of furniture collections for the Home, the Bathroom and the Contract industry for the construction of projects for both residential and professional purposes.

2013

The year sees monobrand flagship showrooms opening in both London and Hong Kong.

**The future
of italian
know-how.**

There is only one area of Italy where the air can blow in from foreign lands, that place is Friuli. And along with that wind comes history, style and certain ways of thinking. It is here that the story of Oasis began, the result of a refined and eclectic merging of different cultures, civilisations, languages and cuisines often referred to around the world as "Italian style".

Francesca Quaia

The eldest, Francesca, is the first to work alongside her father in the business. By assuming responsibility in 2001 for the commercial direction of the company, is pivotal in steering it along the road to internationalisation.

Federica Quaia

Second daughter Federica, having specialised in the worldwide branding of luxury goods, takes over all aspects of image and communication within the company in 2006, thus assuming marketing and artistic control.

Lorenzo Quaia

Third-born Lorenzo completes the transition to the fourth generation in 2008. Specialising in project research and development as well as highly technical products, he becomes head of the technical production division.



PRESTIGE

LUXURY COLLECTION

The word "Prestige" immediately transports us into a captivating world of glamour, excellence and status. Such are the characteristics that Oasis wanted to bring to the brand new Prestige collection.

Displaying a majestic central structure, the design is lightened by details such as the metallic feet, front band and handle which come in a gold or chrome finish.

The latter is the defining feature of the collection, conferring character and offering a luxurious yet contemporary touch.

Available in a wide range of configurations: wall-hung or floor-standing, with single or double drawers, the collection appeals to all manner of requirements.

The launch of Prestige also sees the arrival of a new type of mirror, in a choice of three dimensions and designed to enhance the furniture and create a total and timeless look when complemented by the new series of lamps and accessories.

The Epitome of Excellence





PRESTIGE PR1 Version A

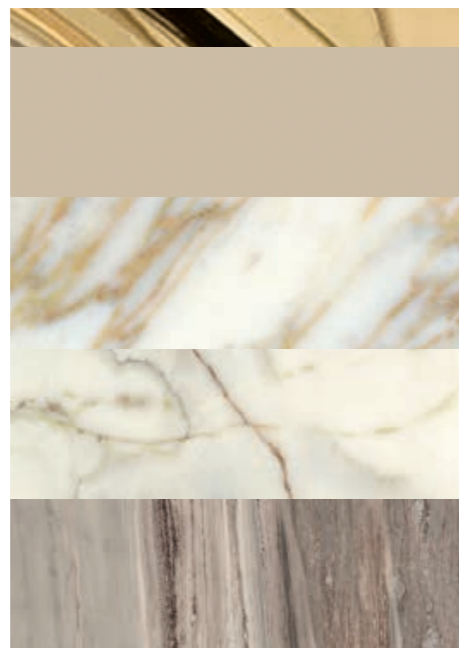
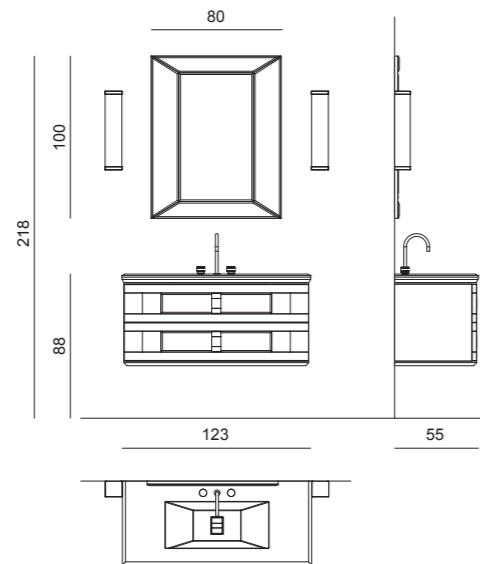
L123 x W55 x H218 cm

Finishes: G164 glossy Lino finish and gold metal details.

Washbasin & Top: Calacatta Oro marble top and under countertop washbasin in white ceramic.

Mirror: PRISMA DELUXE, 80 x 2 x 100 cm; **Wall Lamp:** MURANO 3 in gold metal finish.

Tap: CHARLOTTE in transparent glass and gold metal finish. **Tall Unit:** 30 x 30 x 188 cm;
Wall Unit: 25 x 26 x 100 cm; **Accessories:** DÉFILÉ collection in gold metal finish.

















PRESTIGE PR1 Version B

L123 x W55 x H218 cm

Finishes: G164 glossy Lino finish and gold metal details.

Washbasin & Top: Calacatta Oro marble top and under countertop washbasin in white ceramic.

Mirror: ACADEMY, 85 x 2 x 100 cm; **Wall Lamp:** MURANO 3 in gold metal finish.

Tap: CHARLOTTE in transparent glass and gold metal finish.





PRESTIGE PR2

L173 x W55 x H218 cm

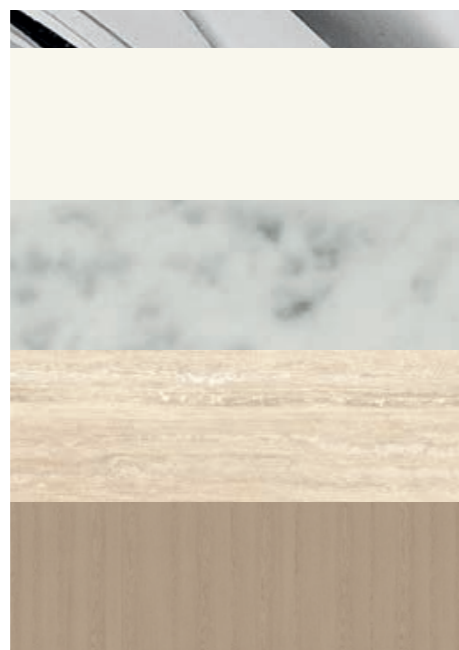
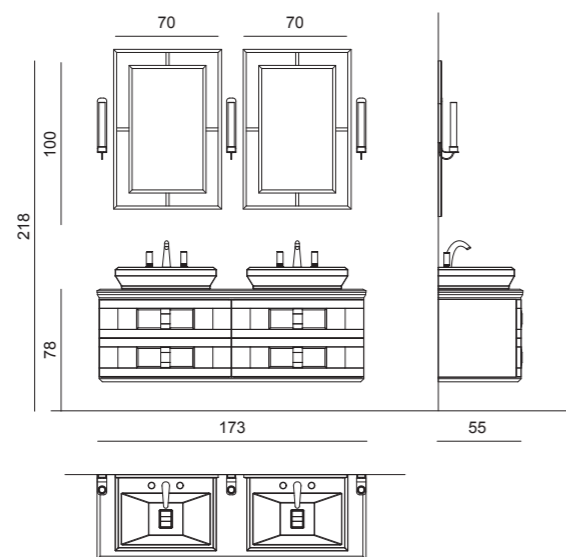
Finishes: G002 glossy Bianco finish and gold metal details.

Washbasin & Top: Bianco Carrara marble top and PRINCE countertop washbasin in white ceramic.

Mirror: CASABLANCA, 70 x 2 x 100 cm; **Wall Lamp:** DUCALE FLUTE - Up version - in gold metal finish and "Kube" decorative glass.

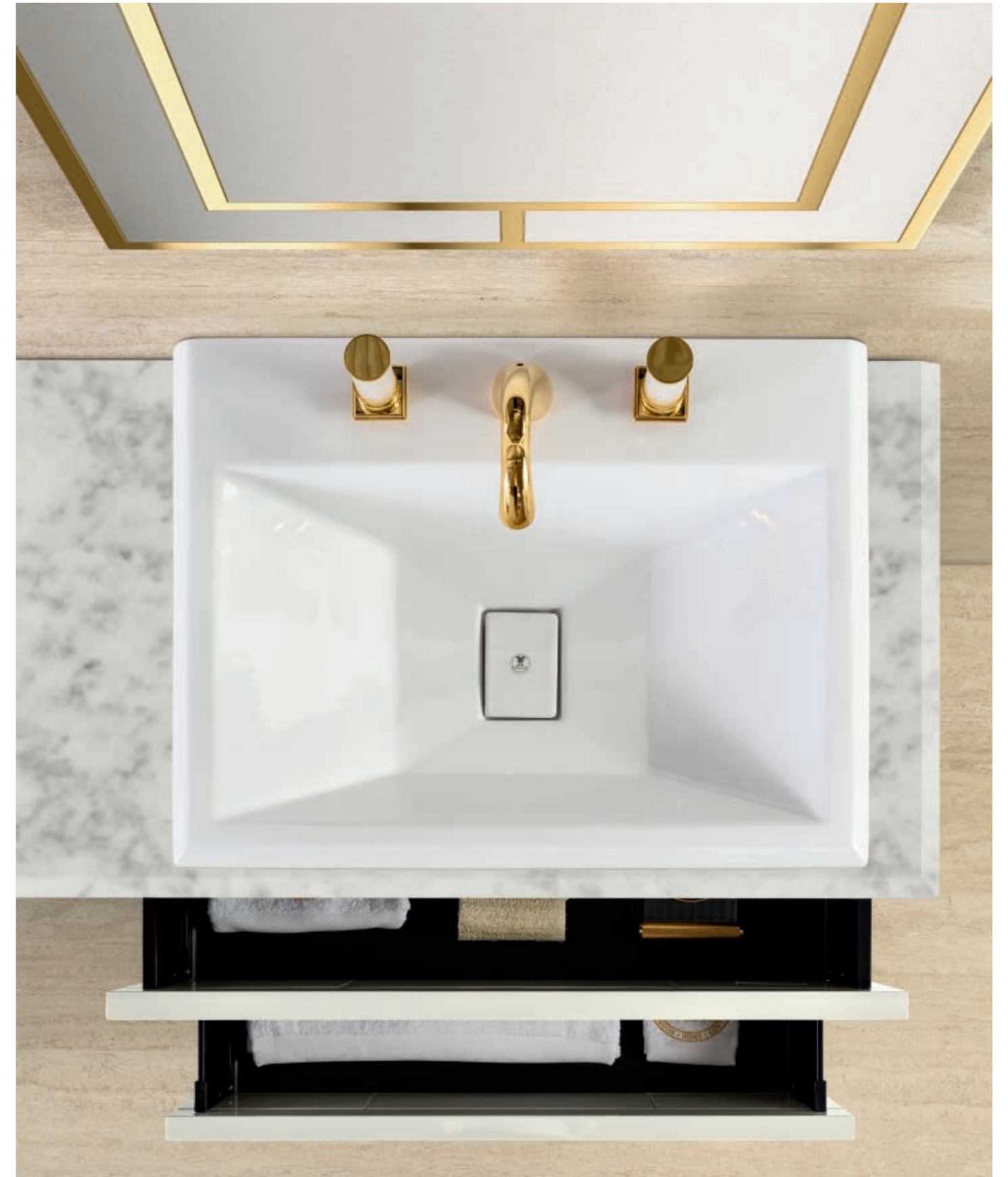
Tap: FORTUNY in gold metal finish. **Tall Unit:** 30 x 30 x 188 cm;

Accessories: DÉFILÉ collection in gold metal finish.











PRESTIGE PR3

L123 x W55 x H218 cm

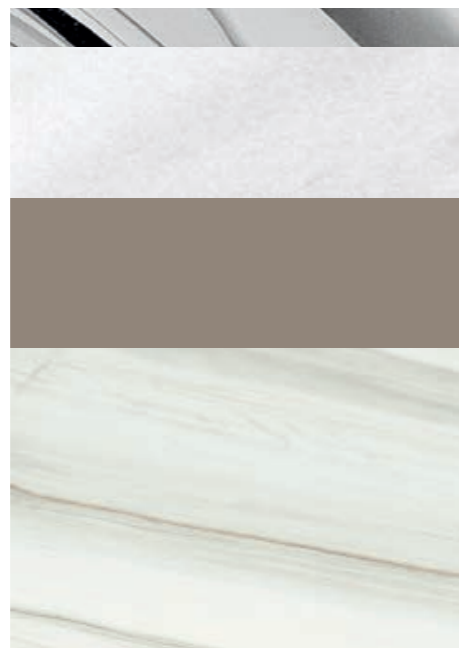
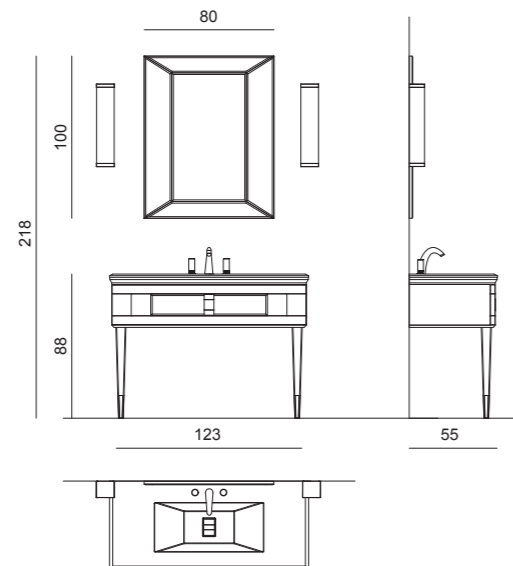
Finishes: G500 glossy Vulcano finish and chrome metal details.

Washbasin & Top: Lasa Fantastico marble top and under countertop washbasin in white ceramic.

Mirror: PRISMA, 80 x 2 x 100 cm; **Wall Lamp:** MURANO 3 in chrome metal finish.

Tap: FORTUNY in chrome metal finish. **Tall Unit:** 30 x 30 x 163 cm; **Wall Unit:** 25 x 26 x 100 cm;

Accessories: DÉFILÉ collection in chrome metal finish.













PRESTIGE PR4

L173 x W55 x H218 cm

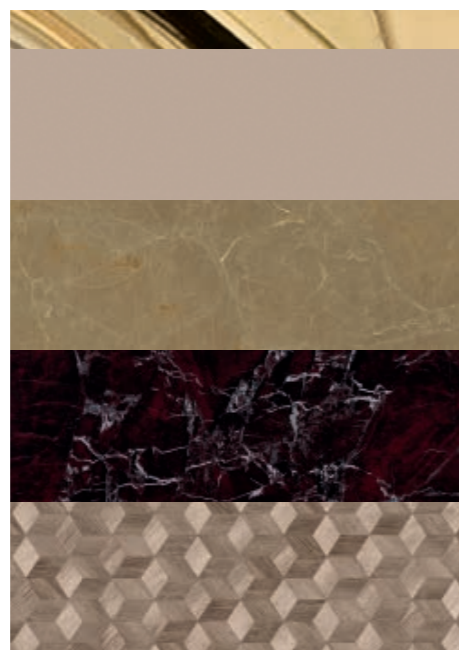
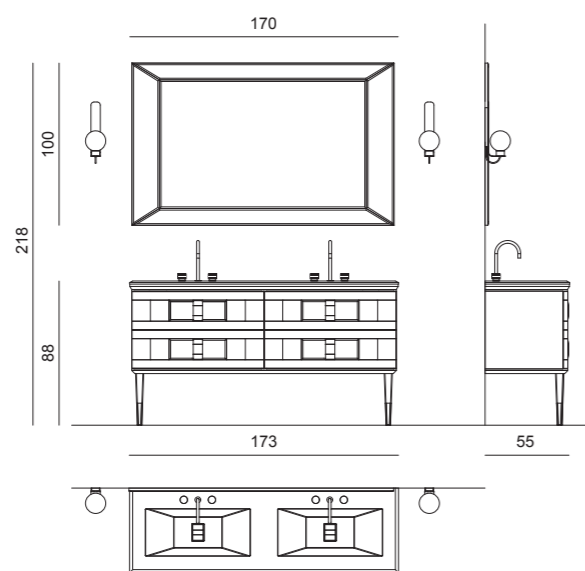
Finishes: G501 glossy Tortora finish and gold metal details.

Washbasin & Top: Emperador Light marble top and two under countertop washbasins in white ceramic.

Mirror: PRISMA, 170 x 2 x 100 cm; **Wall Lamp:** DUCALE SPHERE - Up version - in gold metal finish and "Rhombus" decorative glass.

Tap: CHARLOTTE in amber glass and gold metal finish.

Accessories: DÉFILÉ collection in gold metal finish.















PRESTIGE PR5

L108 x W55 x H218 cm

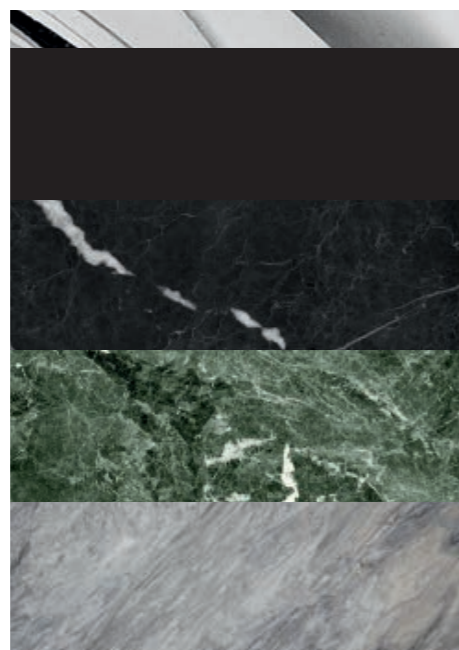
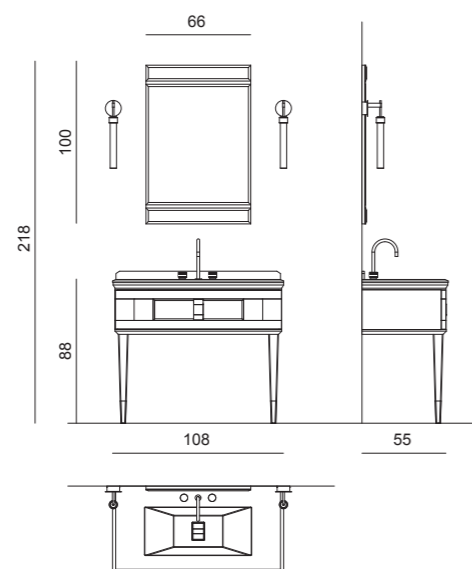
Finishes: G556 glossy Black finish and chrome metal details.

Washbasin & Top: Nero Marquina marble top and under countertop washbasin in white ceramic.

Mirror: ACADEMY, 66 x 2 x 100 cm; **Wall Lamp:** DUCALE FLUTE - Down version - in chrome metal finish and "Rhombus" decorative glass.

Tap: CHARLOTTE in black glass and chrome metal finish. **Tall Unit:** 30 x 30 x 219 cm;

Accessories: DÉFILÉ collection in chrome metal finish.













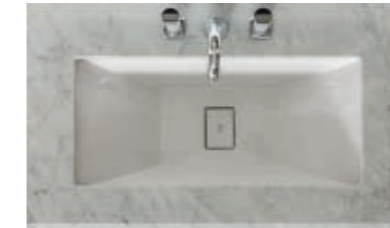


PRESTIGE
TECHNICAL DATA



WASHBASINS / FINISHES

Under Countertop Washbasins



White ceramic washbasin
OLSPR073W - 73 x 37 x 18 cm



White ceramic washbasin
OLSGA056W - 56 x 37 x 18 cm
OLSGA071W - 71 x 37 x 19 cm

Metals



Gold



Chrome

Countertop Washbasins



PRINCE
OLTOPT94W3 - 65 x 49 x 14 cm



LUTETIA
OLTOPT91 - 65 x 47 x 13 cm



RIALTO
OLTOPT96 - 65 x 47 x 14 cm



HERMITAGE
OPT95 - 70 x 40 x 15



DAPHNE
OPT99 - 70 x 48 x 14 cm

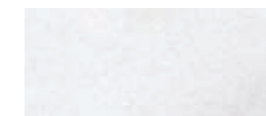


CALLA
OCALAOVBL3 - 63 x 44 x 16 cm
OCALAOVOR3 - 63 x 44 x 16 cm
OCALAOVCR3 - 63 x 44 x 16 cm



PLISSE'
OPILAOVB13 - 66 x 46 x 16 cm
OPILAOVBOR3 - 66 x 46 x 16 cm
OPILAOVBLCR3 - 66 x 46 x 16 cm

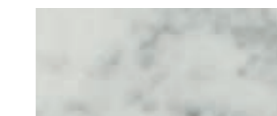
Marble Tops



Lasa Fantastico



Bianco Statuario



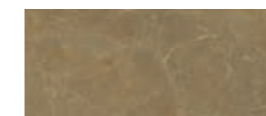
Bianco Carrara



Bardiglio Nuvolato



Calacatto Oro



Emperador Light



Emperador Dark



Mystic Brown



Nero Marquina

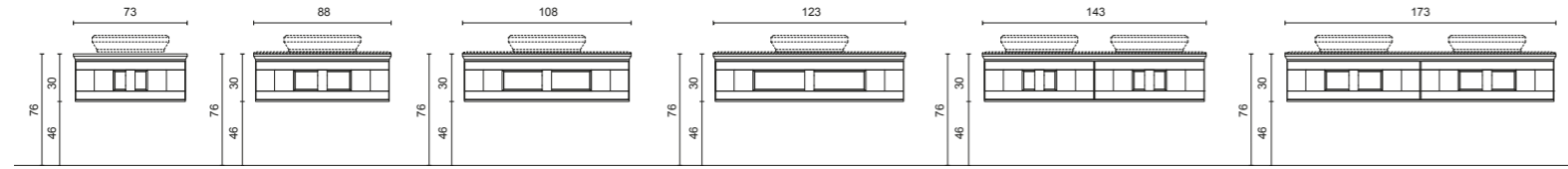


Nero Assoluto

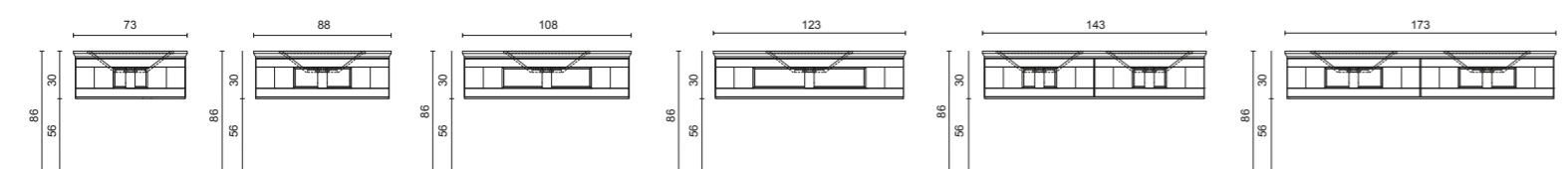


MODULARITY - Suspended Version

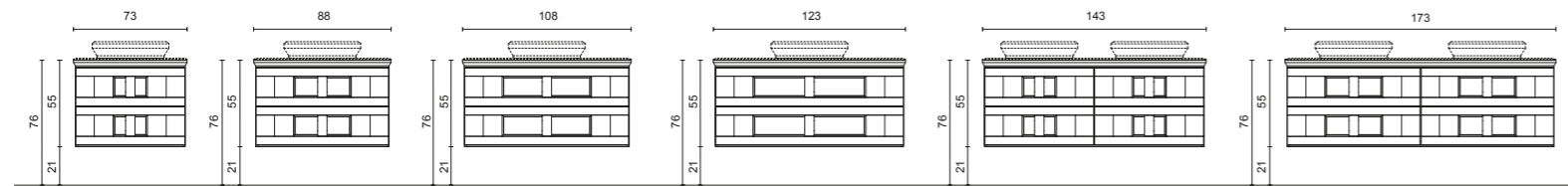
Single Drawer - Countertop Washbasin



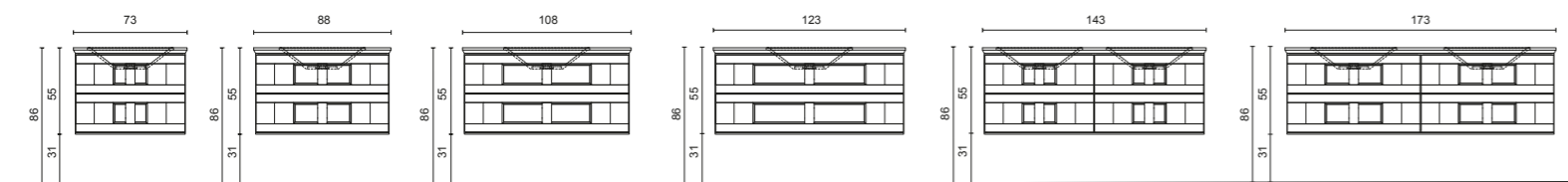
Single Drawer - Under Countertop Washbasin



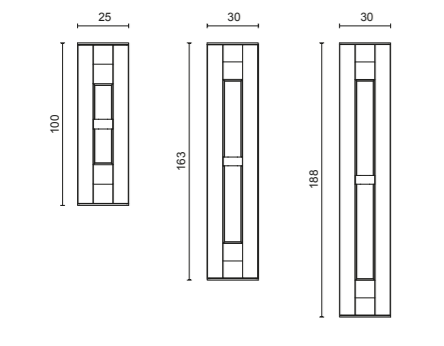
Double Drawer - Countertop Washbasin



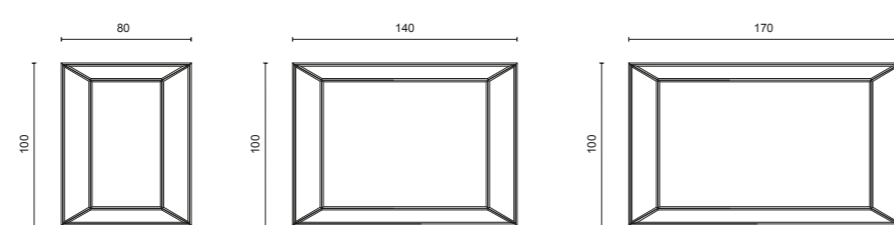
Double Drawer - Under Countertop Washbasin



Wall Units & Tall Units

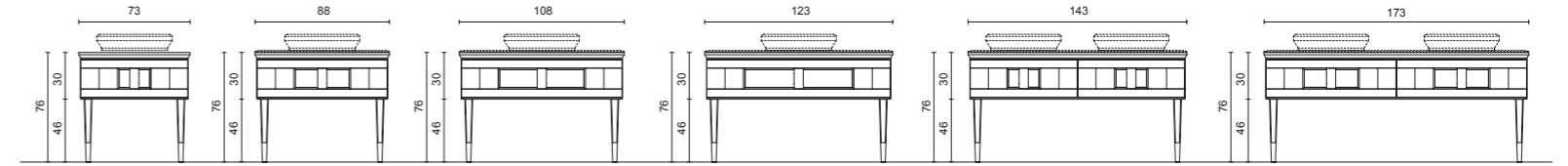


Mirrors

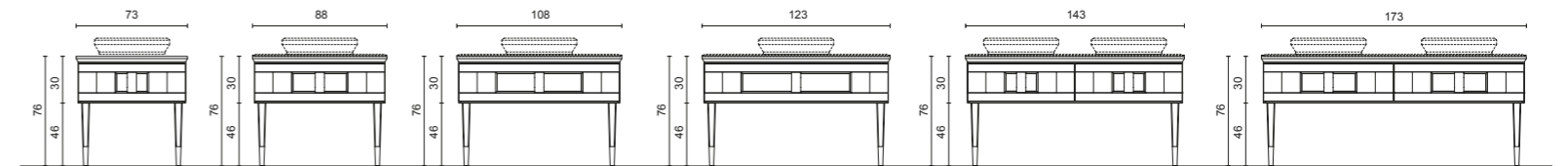


MODULARITY - Free-standing Version

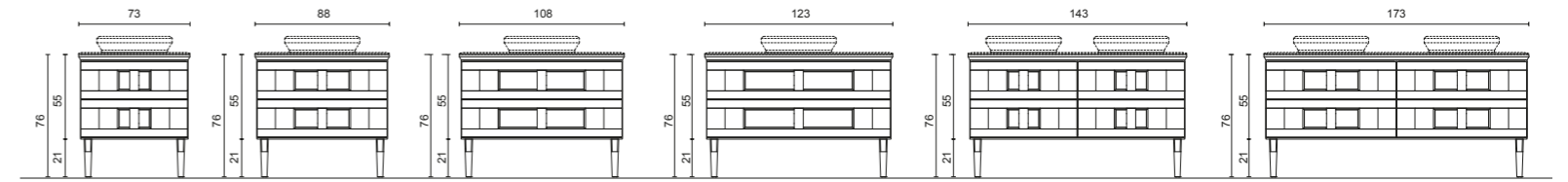
Single Drawer - Countertop Washbasin



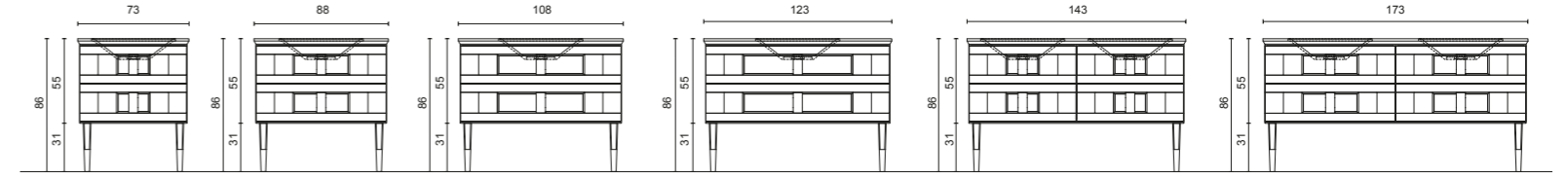
Single Drawer - Under Countertop Washbasin



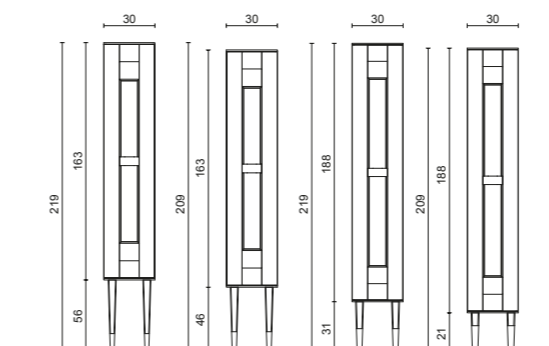
Double Drawer - Countertop Washbasin



Double Drawer - Under Countertop Washbasin



Wall Units & Tall Units





MADE IN ITALY

100% designed and made in Italy.

All Oasis products are protected by registered trademarks.

Oasis reserves the right to make all necessary modifications (in matters of colour, size and technical details) to its products in order to enhance their use and esthetic value.

Furthermore, it may suspend their production at any moment without notice. Such instances may not be subject to any claim on the part of the client.

Oasisgroup declines all responsibility for any possible uncertainties arising from misprints in this catalogue.

Edi.21 - Rev.00



Oasis Srl - Via Favola,19 - 33070 Polcenigo - Pordenone, Italy - T +39 0434 654752 - F +39 0434 654850
info@oasisgroup.it - www.oasisgroup.it



www.oasisgroup.it